

# 5"-6" DOWNLIGHT RETROFIT



Constructed with a high-efficacy LED array and dimmable driver, the 5"-6" Downlight Retrofit features an optical diffuser that produces high lumen transmission and even illumination. The fixtures are suitable for wet locations. This 5"-6" downlight retrofit is the economical solution for consumers looking to reduce energy costs. These retrofits are offered in a variety of lumen packages appropriate for commercial and residential applications.

PROJECT NAME
CATALOG NUMBER
NOTES
FIXTURE TYPE

## FEATURES:

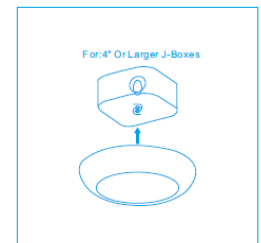
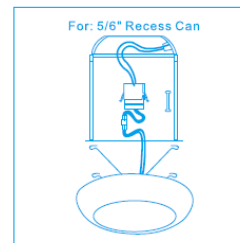
- High lumen transmission and diffusing for even illumination
- White paint finish standard
- Dimmable down to 10% (see page 2 for recommended dimmers)
- Driver features power factor of >.90, THD of <20 percent and has integral thermal protection to sense high temperature or internal failure
- Supplied with E26 base adapter
- Virtually no UV emitted
- Suitable for use in wet locations

## CONSTRUCTION:

- One-piece durable die-cast aluminum heat sink with integrated trim
- Module construction includes LEDs, heat sink, lens and baffle trim
- Impact-resistant plastic lens
- Uses spring clips to easily secure into a 5"-6" housing and 4" J-Box



FITS: 4" J-BOX & 5"-6" CAN



### Luminaire Ordering Information:

Order Code	Watts	Model Number	Inc. Equivalent	Lumens	CRI	Lamp Life (Hrs.)	Dimensions Dia" x H"	CCT
CL-DD6D1230	12 W	DD-6D-12-30	75 W	800 LM	90	50,000	7.4" X 2.3"	3000K

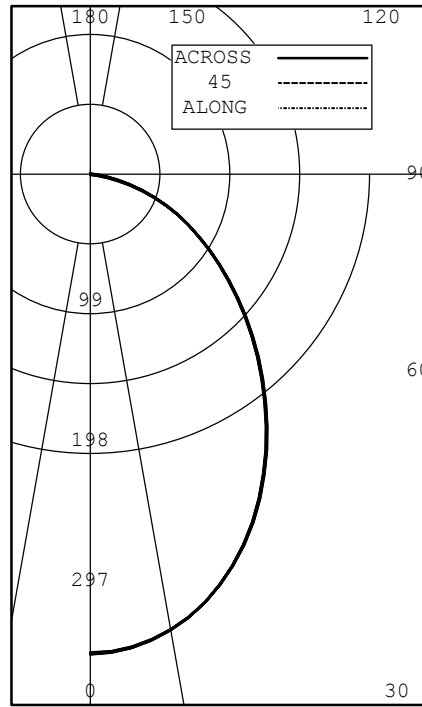
Lighting layouts and spacing criteria available upon request



## COMPATIBLE DIMMERS:

NO	MAKE	DIMMER MODEL
1	Lutron	DVCL-153P
2	Lutron	DV-600P-WH
3	Lutron	S-600P-WH
4	Lutron	CTCL-153P-WH
5	Lutron	MRF2-6ND-120-WH
6	Leviton	No.6633-P
7	Leviton	IPI06-1LZ
8	Lutron	D-603P-WH
9	Lutron	D-600P-WH
10	Lutron	TTCL-100H-WH

## DD-6D-12-27



### INTENSITY (CANDLEPOWER) SUMMARY

ANGLE	MEAN CP	LUMENS
0	340	
5	337	32
10	328	
15	314	88
20	295	
25	272	125
30	246	
35	218	136
40	190	
45	162	125
50	136	
55	111	100
60	89	
65	69	68
70	48	
75	29	31
80	12	
85	1	3
90	0	

### ZONAL LUMENS AND PERCENTAGES

ZONE	LUMENS	% LUMINAIRE
0-30	245	34.62
0-40	381	53.81
0-60	606	85.55
0-90	708	100.00
40-90	327	46.19
60-90	102	14.45
90-180	0	0.00
0-180	708	100.00

### LUMINANCE SUMMARY CD./SQ.M.

ANGLE	MEAN CD/SQ M
45	32315
55	27383
65	22915
75	15778
85	1909

## Dimension:

